

Dimplex Michigan Fire Model : MCN20

BEAB
Approved

08/19118/3 Issue 3

Dimensions (millimetres)

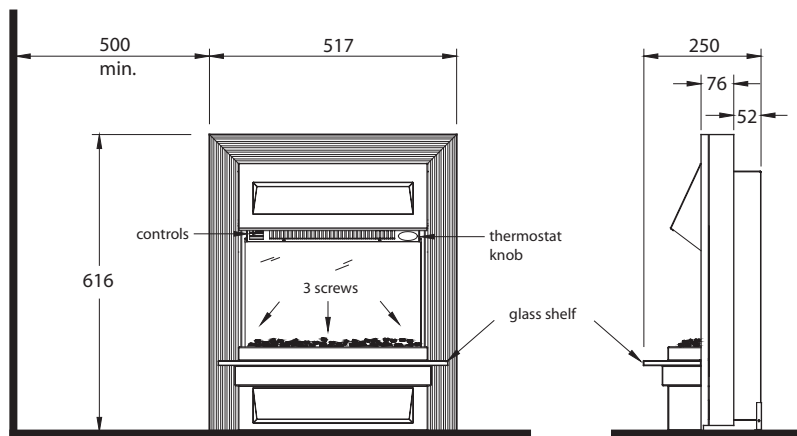


Fig. 1

THESE INSTRUCTIONS SHOULD BE READ CAREFULLY AND RETAINED FOR FUTURE REFERENCE.

Important Safety Advice:

When using electrical appliances, Basic precautions should always be followed to reduce the risk of fire, electrical shock, and injury to persons, including the following:

- If the appliance is damaged, check with the supplier before installation and operation.
- Do not use outdoors.
- Do not use in the immediate surroundings of a bath, shower or swimming pool.
- Do not locate the heater immediately below a fixed socket outlet or connection box.
- Do not cover the heater. Do not place material or garments on the heater, or obstruct the air circulation around the heater, for instance by curtains or furniture, as this could cause overheating and a fire risk.
- This appliance is not intended for use by children or other persons without assistance or supervision if their physical, sensory or mental capabilities prevent them from using it safely. Children should be supervised to ensure that they do not play with the appliance.
- In order to avoid a hazard due to inadvertent resetting of the thermal cut-out, this appliance must not be supplied through an external switching device, such as a timer, or connected to a circuit that is regularly switched on and off by the utility.
- Ensure that furniture, curtains or other combustible material are positioned no closer than 1 metre from the heater.
- In the event of a fault unplug the heater.
- Unplug the heater when not required for long periods.
- Although this heater complies with safety standards, we do not recommend its use on deep pile carpets or on long hair type of rugs.
- The appliance must be positioned so that the plug is accessible.
- If the supply cord is damaged it must be replaced by the manufacturer or service agent or a similarly qualified person in order to avoid a hazard.

General

Unpack the heater carefully and retain the packaging for possible future use, in the event of moving or returning the fire to your supplier. Loose coals and pebbles are packed separately within the carton.

The heater is designed for use inset into a 407mm (16") or 457mm (18") wide by 559mm (22") high fireplace opening see also section "Installation in a fire place opening".

A 2kw fan heater discreetly positioned in the canopy of the fire provides heating in cold weather. Switching allows half or full heat. The manual controls are located in the canopy (see Fig. 1) and the remote control is packed separately in the carton.

Before connecting the heater check that the supply voltage is the same as that stated on the heater.

Please note: Used in an environment where background noise is very low, it may be possible to hear the motor which operates the flame effect. This is normal and should not be a cause for concern.

Electrical

WARNING – THIS APPLIANCE MUST BE EARTHED.

This heater must be used on an AC ~ supply only and the voltage marked on the heater must correspond to the supply voltage.

Before switching on, please read the safety warnings and operating instructions.

For your convenience, the heater is fitted with a rewirable plug incorporating a 13 amp fuse. In the event of replacing the fuse in the plug supplied, a 13 amp fuse approved by ASTA to BS1362 must be used.

Installation in a Fireplace Opening

At the rear of the fire, two adjustable supports are provided for levelling the fire where the base of the fireplace opening is raised above the level of the hearth.

Adjust by removing the two screws holding each bracket in position, then refit the bracket and the two screws in the required position.

The metal surround may be removed to allow the fire to be fully inset.

Note: The fire must be positioned a minimum distance of 500mm from a wall as indicated in Fig. 1.

Operation

The unique flame effect may be enjoyed whether or not the heating elements are in operation.

Controls

The heater controls are located on the left hand side of the canopy heat outlet - see **Fig. 1**.

A switch is in the ON position when the red indicator mark on the switch is visible.

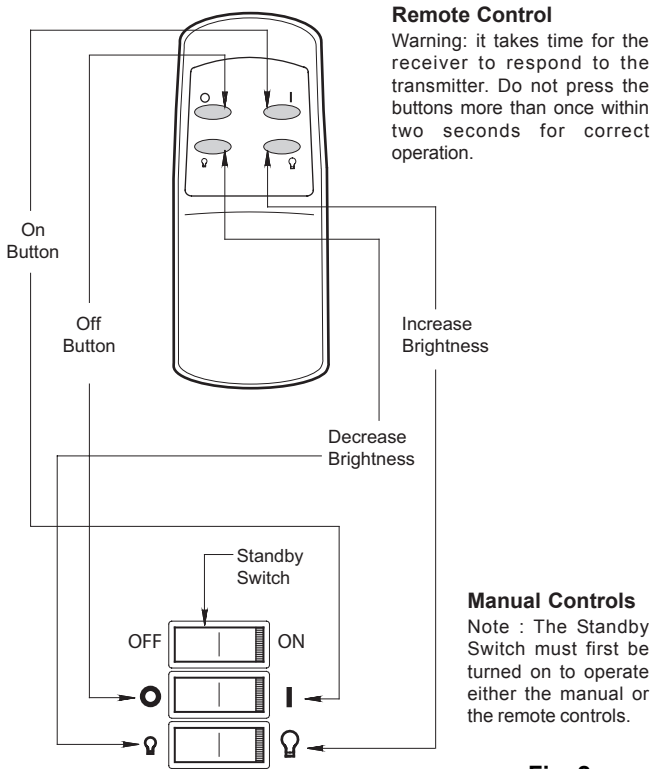


Fig. 2

Manual or Remote Operation

Setting	Operation	Indication
Flame effect	Press the 'ON' button once	Top Neon
Flame effect & 1kW heat	Press the 'ON' button again	Top & Middle Neon
Flame effect & 2kW heat	Press the 'ON' button again	All 3 Neon's
To turn off any of the settings	Press the 'OFF' button once	
To increase or decrease the brightness of the fuel effect use the buttons as shown in Fig. 2		

Setting the Thermostat

Plug in and set all switches to ON. Turn the thermostat knob to MAX to warm the room rapidly. When the room temperature has reached the desired level, turn the thermostat knob back slowly until the thermostat just clicks off. The heater will then maintain the room temperature at the chosen level.

NOTE – Should your heater fail to come on when the thermostat is at a low setting, this may be due to the room temperature being higher than the thermostat setting.

Maintenance

WARNING – BEFORE UNDERTAKING ANY MAINTENANCE OR CLEANING, REMOVE PLUG OR DISCONNECT FROM THE ELECTRICITY SUPPLY.

Note: When either the remote control or the manual controls are used, the neon's will come on for 3 seconds indicating the relevant setting (see **Fig. 3**).

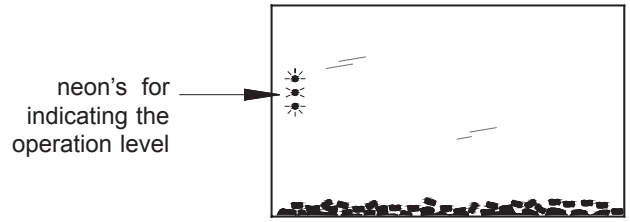


Fig. 3

Battery information

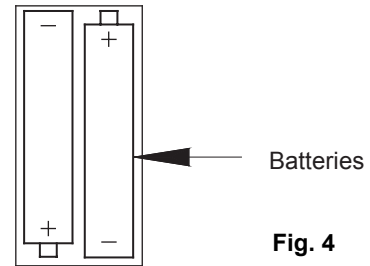


Fig. 4

1. Slide open the battery cover on the back of the remote control
2. Install two AAA batteries into the remote control (see **Fig. 4**)
3. Replace the battery cover.

Discard leaky batteries

Dispose of batteries in the proper manner according to Provincial and local regulations. Any battery may leak electrolyte if mixed with a different battery type, if inserted incorrectly, if all the batteries are not replaced at the same time, if disposed of in a fire or if an attempt is made to charge a battery not intended to be recharged.

Lamp Replacement

There are two lamps located beneath the fuel effect. To gain access to the lamp, the fuel effect which is secured by three screws, must be removed (see **Fig.1**).

Remove the coal/pebbles and carefully lift the fuel effect/fuel effect trim clear and set aside.

Remove the glass shelf and carefully set aside.

Replace the defective lamp with a 240V 60 Watt E14 SES clear candle lamp.

Replace the glass shelf then the fuel effect assy and secure with screws.

Safety cut-out

For your safety, this appliance has been fitted with thermal cut-out. In the event that the product overheats, the cut-out switches the heat off automatically.

To bring the heat back into operation, remove the cause of the overheating, then unplug or turn off the electrical supply to the heater for up to 10 minutes.

When the heater has cooled sufficiently, re-connect and switch on the heater.

Caution: In order to avoid a hazard due to inadvertent resetting of the thermal cutout, this appliance must not be supplied through an external switching device, such as a timer, or connected to a circuit that is regularly switched on and off by the utility.

Cleaning

Before commencing cleaning, unplug the heater and allow it to cool. The surfaces of the heater should be given an occasional wipe over with a dry soft cloth.

Do not use detergents, abrasive cleaning powder or polish on the metal body of the heater.

The glass screen should be cleaned carefully with a chamois leather. DO NOT use proprietary cleaners.

To remove any accumulation of dust or fluff the soft brush attachment of a vacuum cleaner should occasionally be used to clean the outlet grille of the fan heater located under the canopy.

To clean the fuel effect, remove the coal pieces or pebbles and wash in warm water. The plastic tray should be wiped clean with a damp cloth. When dry replace the coal pieces or pebbles and arrange for best effect.

After Sales Service

Your product is guaranteed for one year from the date of purchase.


Within this period, we undertake to repair or exchange this product free of charge (excluding lamps & subject to availability) provided it has been installed and operated in accordance with these instructions.

Your rights under this guarantee are additional to your statutory rights, which in turn are not affected by this guarantee.

Should you require after sales service you should contact our customer services help desk on 0870 727 0101. It would assist us if you can quote the model number, series, date of purchase, and nature of the fault at the time of your call. The customer services help desk will also be able to advise you should you need to purchase any spares.

Please do not return a faulty product to us in the first instance as this may result in loss or damage and delay in providing you with a satisfactory service.

Please retain your receipt as proof of purchase.

 The product complies with the European Safety Standards EN60335-2-30 and the European Standard Electromagnetic Compatibility (EMC) EN55014, EN60555-2 and EN60555-3 which cover the essential requirements of EEC Directives 73/23 and 89/336

Glen Dimplex UK Limited
Millbrook House
Grange Drive
Hedge End
Southampton
Hampshire. SO30 2DF

UK customer help line (8.00AM – 6.00PM Mon-Fri; 8.30AM-1.00PM Sat)

Customer Services:	Tel.	0870 7270101
	Fax.	0870 7270102
	e-mail	customer.services@glendimplex.com
Republic of Ireland	Tel.	01 8424833

[c] Glen Dimplex UK Limited

All rights reserved. Material contained in this publication may not be reproduced in whole or in part, without prior permission in writing of Glen Dimplex UK Limited.